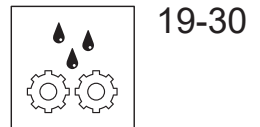
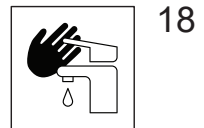




Oras Inspera

Installation and maintenance guide

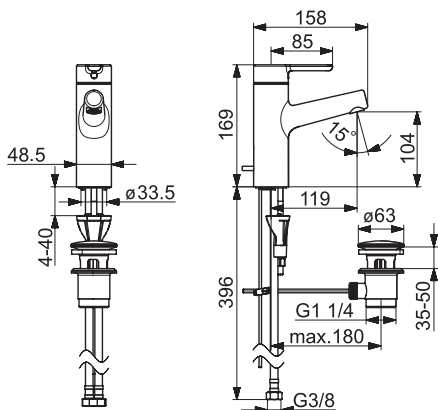






3000F

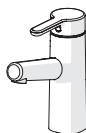
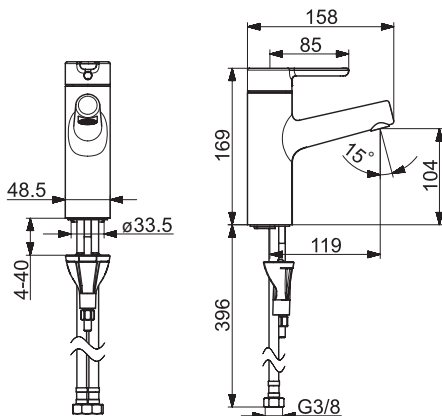
I (ISO 3822)
 EN 817
 50 - 1000 kPa
 0.1 l/s (300 kPa w/Controller)
 100 kPa (0.1 l/s)
 max. +70°C



mpi.oras.com/3000F

3010F

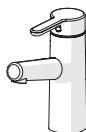
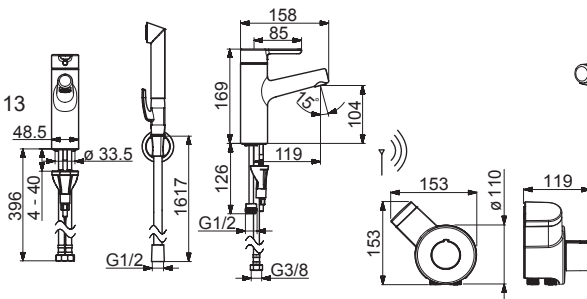
I (ISO 3822)
 EN 817
 50 - 1000 kPa
 0.1 l/s (300 kPa w/Controller)
 100 kPa (0.1 l/s)
 max. +70°C



mpi.oras.com/3010F

3013F

I (ISO 3822)
 EN 817, EN 15091, EN 1111, EN 1113
 50 - 1000 kPa
 0.1 l/s (300 kPa w/Controller)
 170 kPa (0.1 l/s)
 max. +70°C



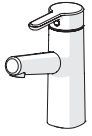
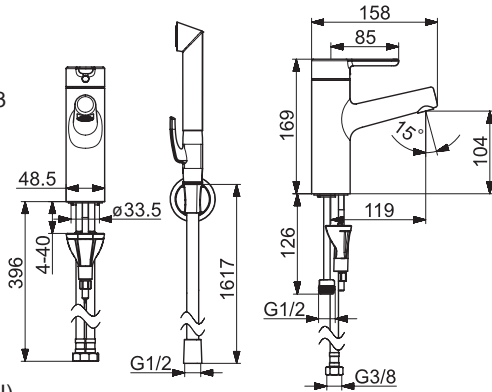
mpi.oras.com/3013F

CE (EMC 2014/30/EU , 2011/65/EU)

3012F

I (ISO 3822)
 EN 817, EN 15091, EN 1111, EN 1113
 50 - 1000 kPa
 0.1 l/s (300 kPa w/Controller)
 170 kPa (0.1 l/s)
 max. +70°C

IP 55
 AA 1.5 V Lithium x 2, CR 2450 3 V

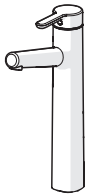
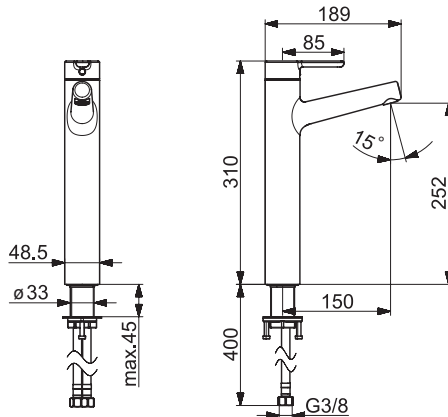


mpi.oras.com/3012F

CE (EMC 2014/30/EU , 2011/65/EU)

3001F

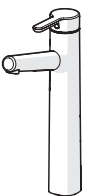
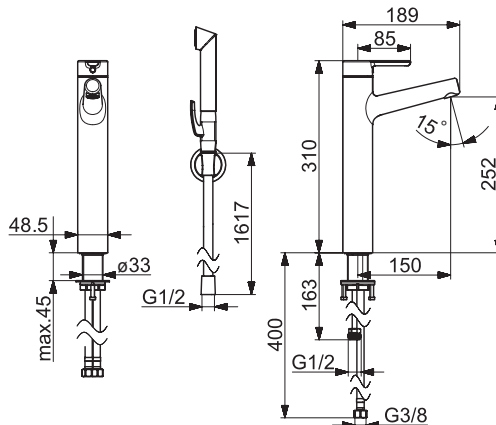
I (ISO 3822)
 EN 817, EN 1113
 50 - 1000 kPa
 0.1 l/s (300 kPa w/Controller)
 170 kPa (0.1 l/s)
 max. +70°C



mpi.oras.com/3001F

3002F

I (ISO 3822)
 EN 817
 50 - 1000 kPa
 0.1 l/s (300 kPa w/Controller)
 100 kPa (0.1 l/s)
 max. +70°C



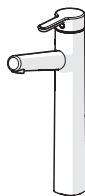
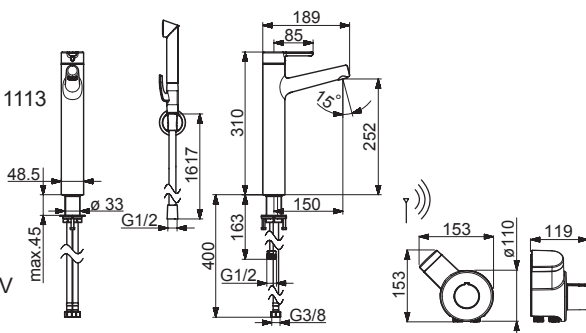
mpi.oras.com/3002F



3003F

I (ISO 3822)
 EN 817, EN 15091, EN 1111, EN 1113
 50 - 1000 kPa
 0.1 l/s (300 kPa w/Controller)
 170 kPa (0.1 l/s)
 max. +70°C

IP 55
 AA 1.5 V Lithium x 2, CR 2450 3 V

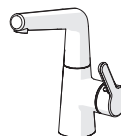
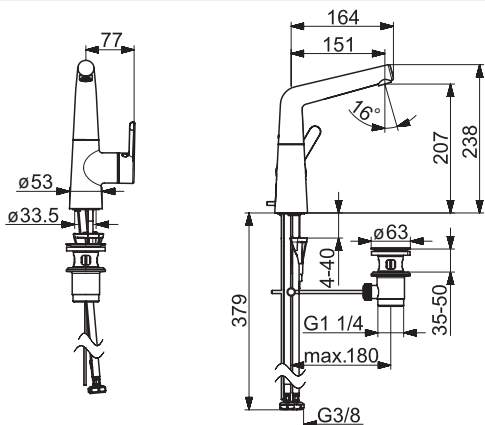


mpi.oras.com/3003F

CE (EMC 2014/30/EU , 2011/65/EU)

3004F

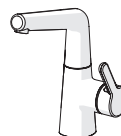
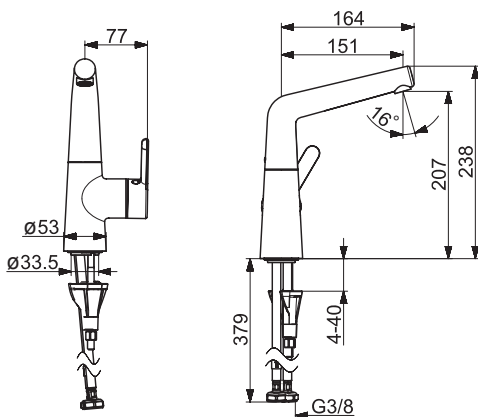
I (ISO 3822)
 EN 817
 50 - 1000 kPa
 0.1 l/s (300 kPa w/Controller)
 100 kPa (0.1 l/s)
 max. +70°C



mpi.oras.com/3004F

3006F , 3006F-34

I (ISO 3822)
 EN 817
 50 - 1000 kPa
 0.1 l/s (300 kPa w/Controller)
 100 kPa (0.1 l/s)
 max. +70°C

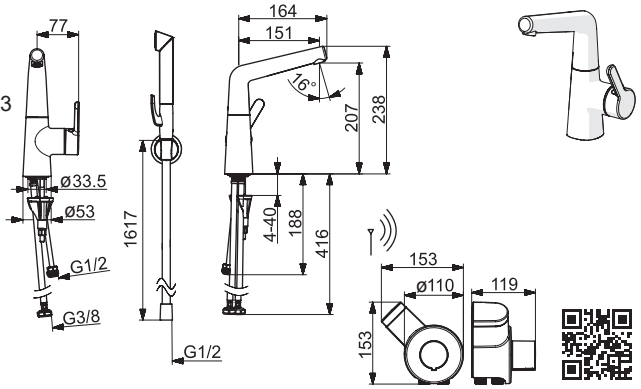


mpi.oras.com/3006F

3005F

I (ISO 3822)
 EN 817, EN 15091, EN 1111, EN 1113
 100 - 1000 kPa
 0.1 l/s (300 kPa w/Controller)
 100 kPa (0.1 l/s)
 max. +70°C

IP 55
 AA 1.5 V Lithium x 2, CR 2450 3 V

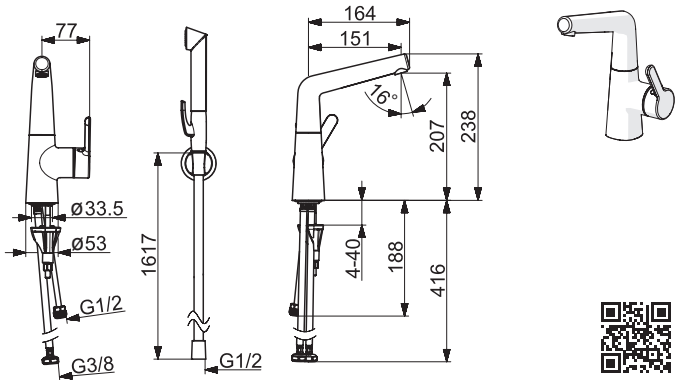


CE (EMC 2014/30/EU , 2011/65/EU)

mpi.oras.com/3005F

3008F

I (ISO 3822)
 EN 817, EN 1113
 50 - 1000 kPa
 0.1 l/s (300 kPa w/Controller)
 170 kPa (0.1 l/s)
 max. +70°C

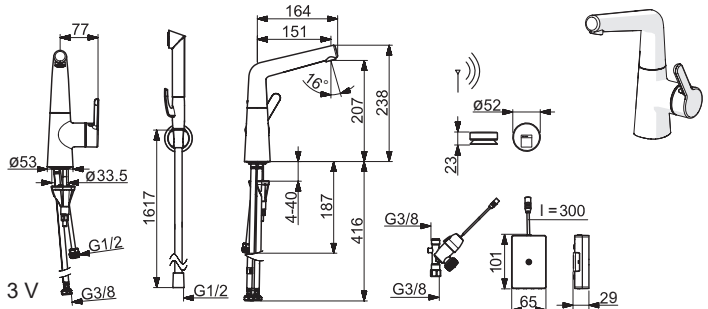


mpi.oras.com/3008F

3009F

I (ISO 3822)
 EN 817, EN 15091, EN 1113
 100 - 1000 kPa
 0.1 l/s (300 kPa w/Controller)
 170 kPa (0.1 l/s)
 max. +70°C

IP 54
 AA 1.5 V Lithium x 2, CR 2450 3 V



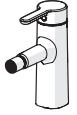
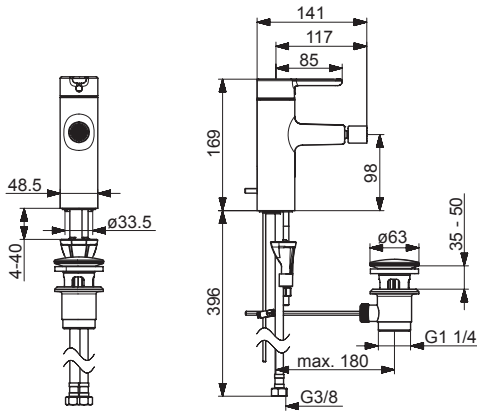
CE (EMC 2014/30/EU , 2011/65/EU)

mpi.oras.com/3009F

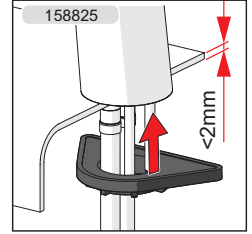
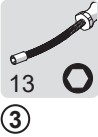
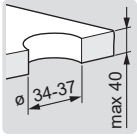
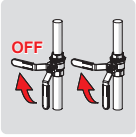


3018F

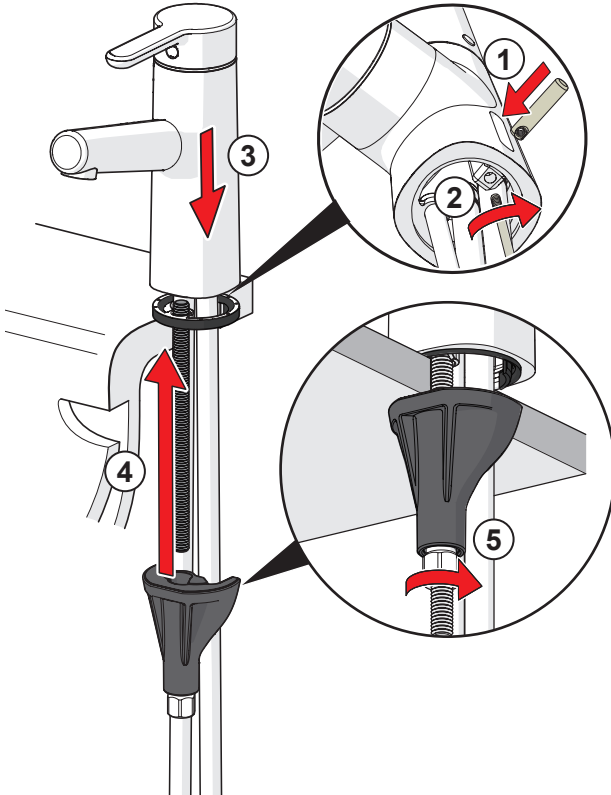
I (ISO 3822)
EN 817
50 - 1000 kPa
0.1 l/s (300 kPa w/Controller)
100 kPa (0.1 l/s)
max. +70°C

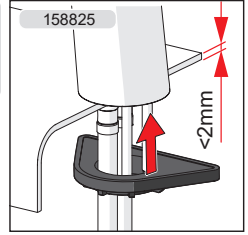
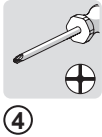
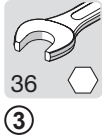
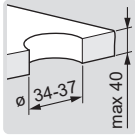
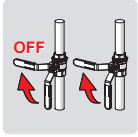


mpi.oras.com/3018F

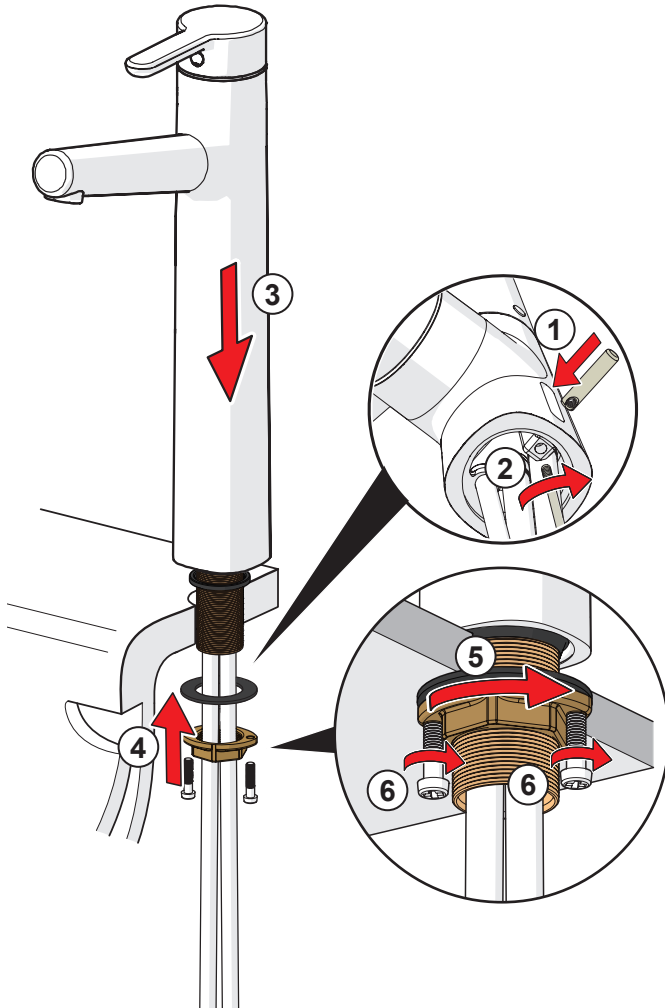


1





1

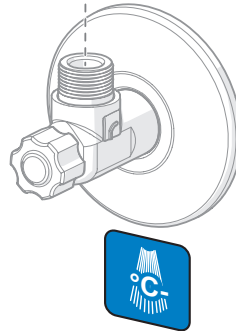
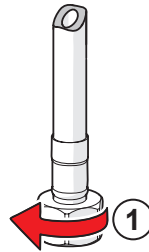
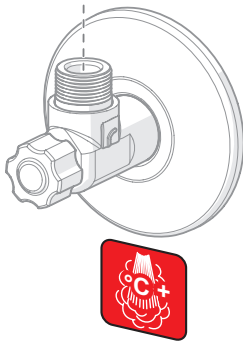
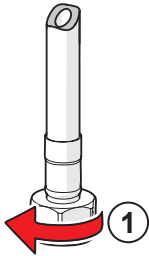
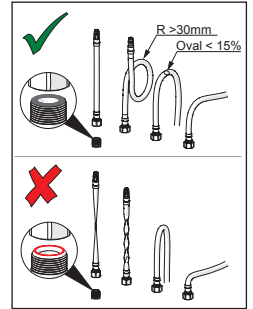


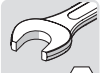


19

①

②

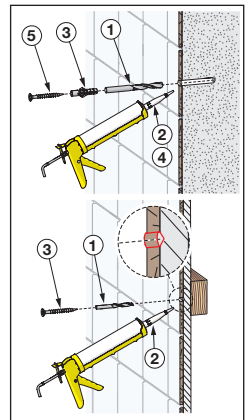
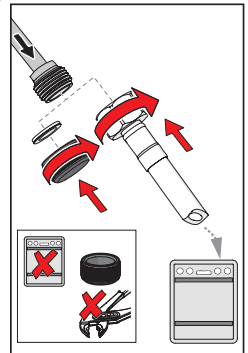
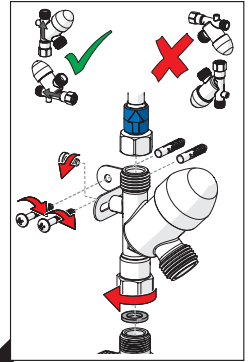
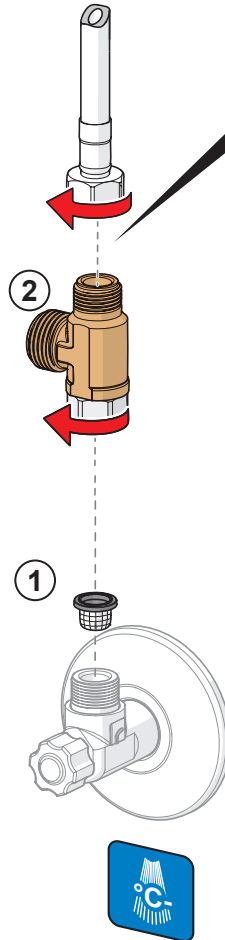
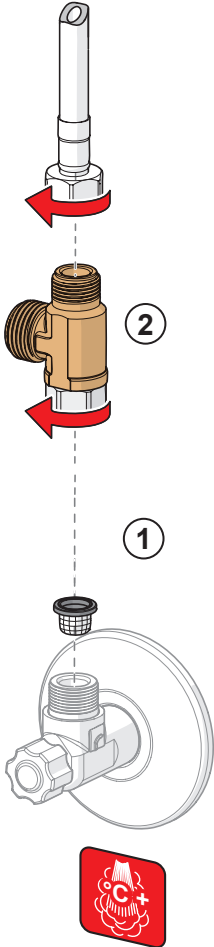




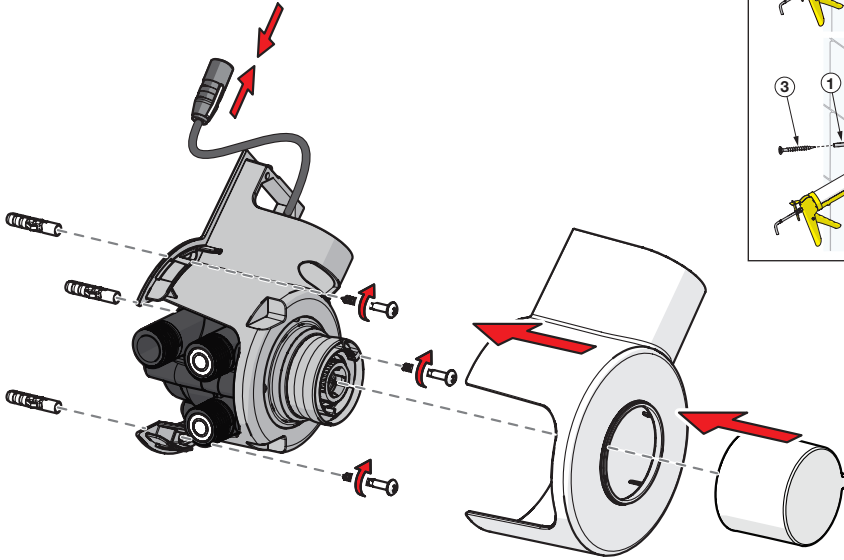
19

①...②

2 3003F
3013F
3005F
3009F



3 3003F
3013F
3005F





17

①



24

②



24

③

④

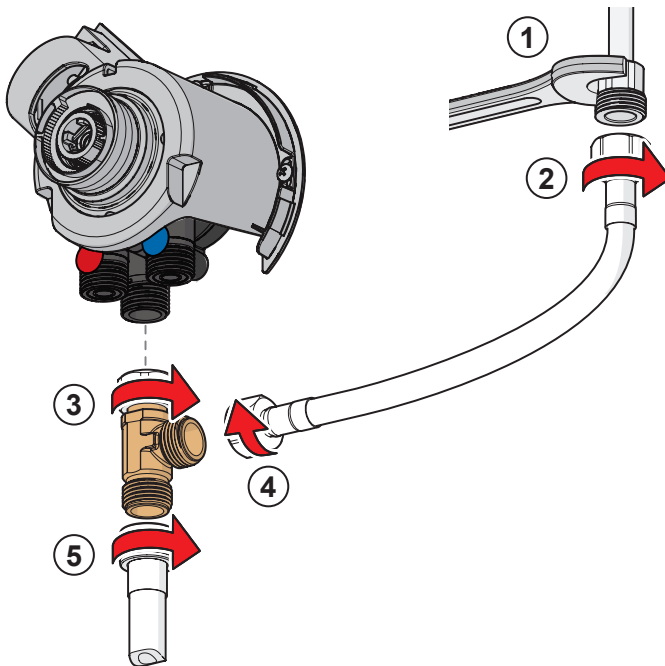


③

⑤

4

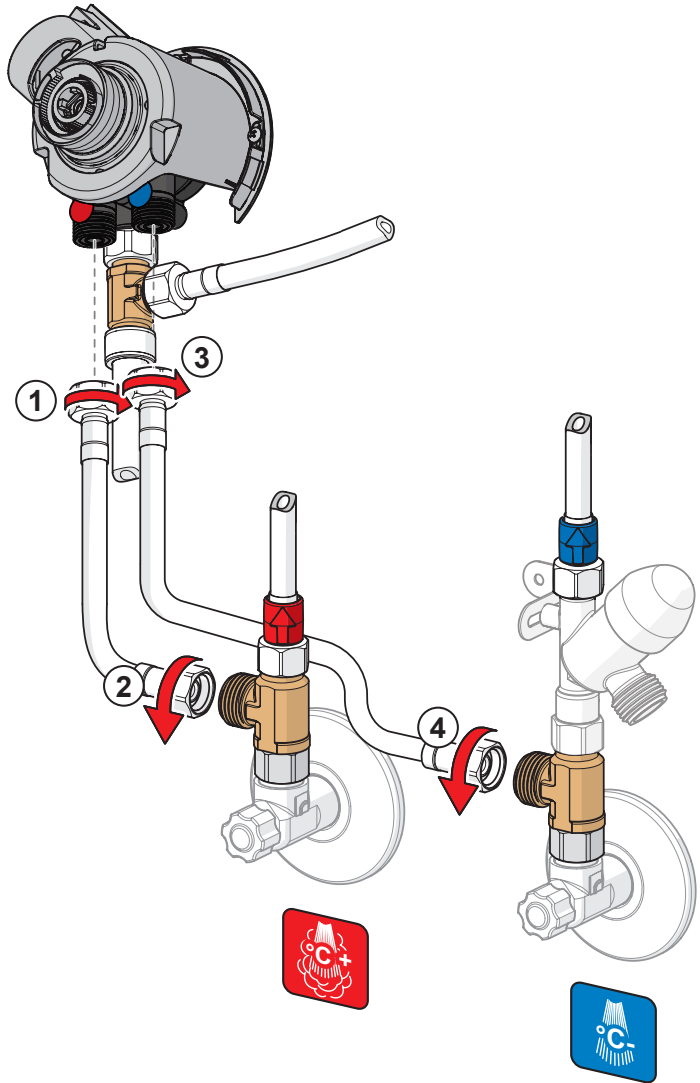
3003F
3013F
3005F





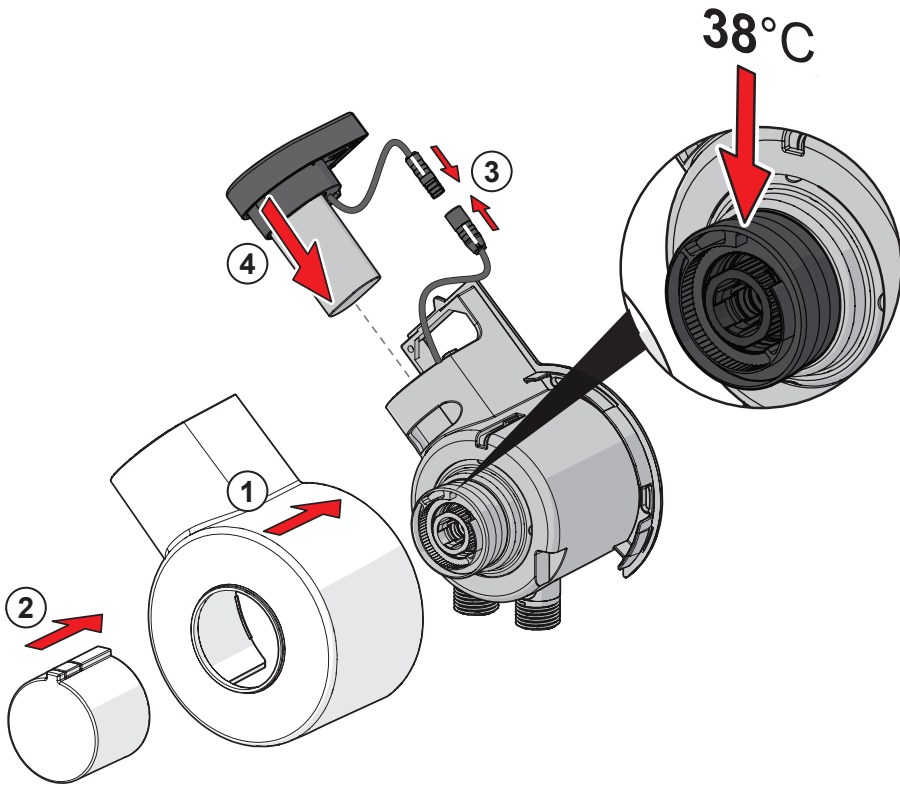
① ... ④ ① ③

5 3003F
3013F
3005F



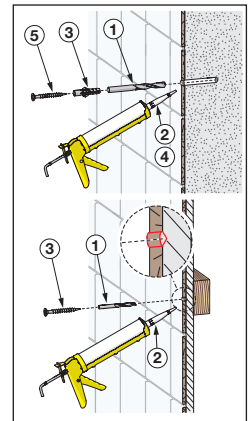
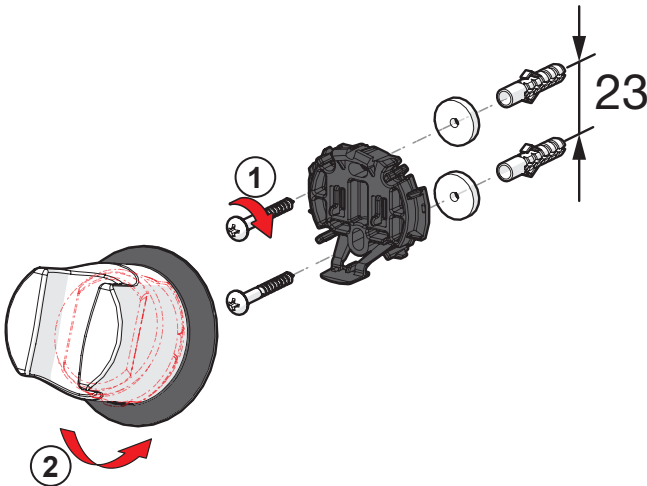
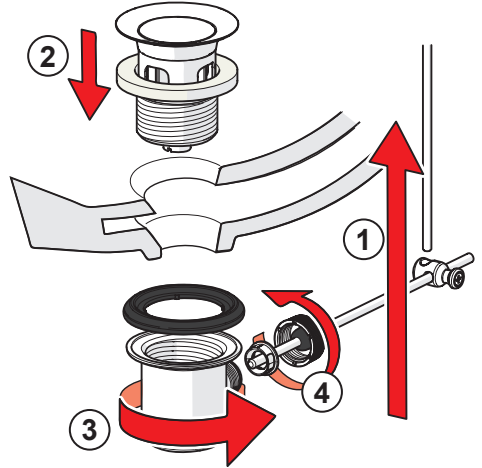
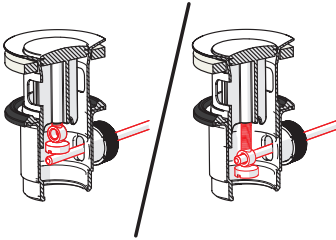
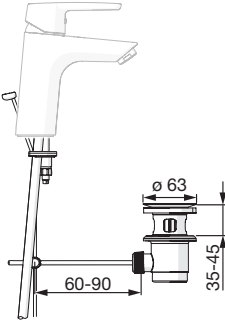


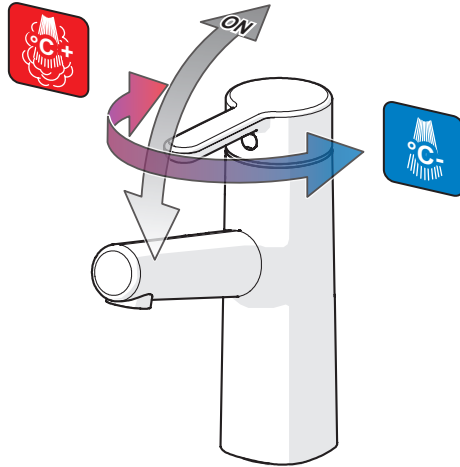
6 3003F
3013F
3005F



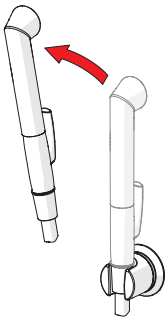


① ② ③

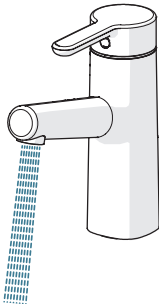




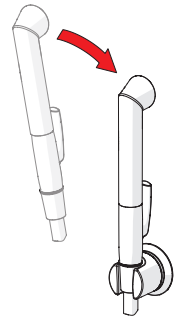
3003F, 3013F, 3005F



ON

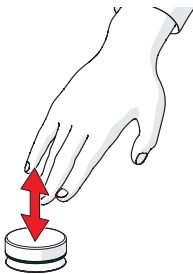


max. 2 min

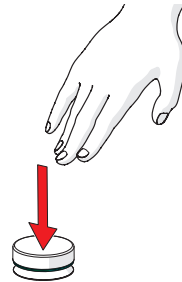


OFF

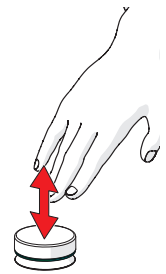
3009F



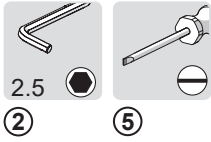
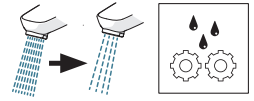
ON 3h



ON 12h



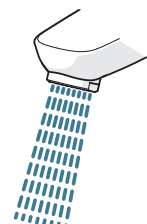
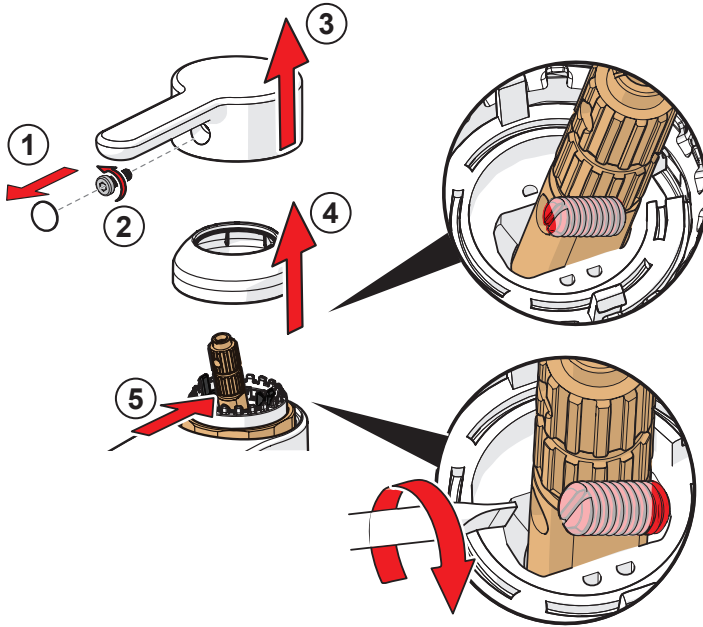
OFF

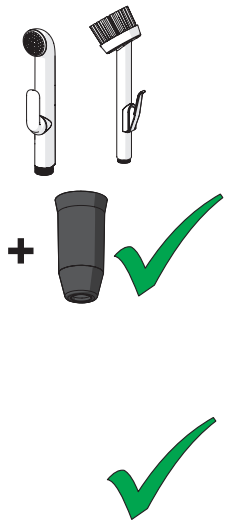
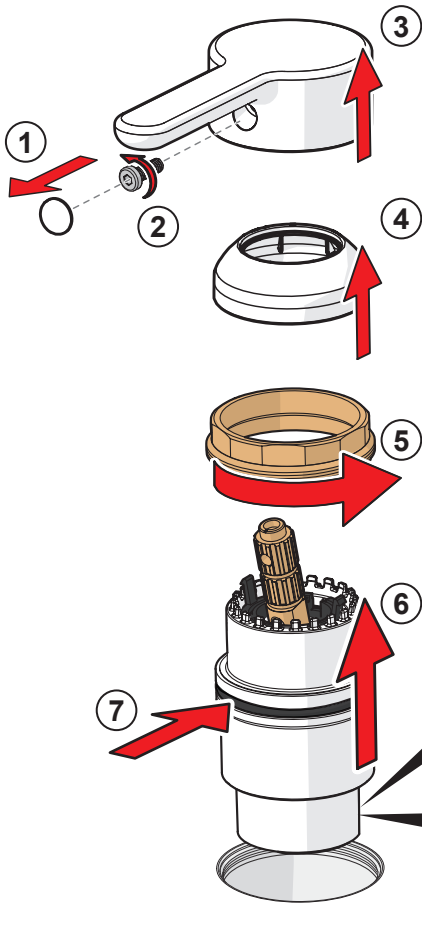
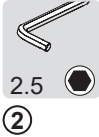
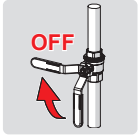


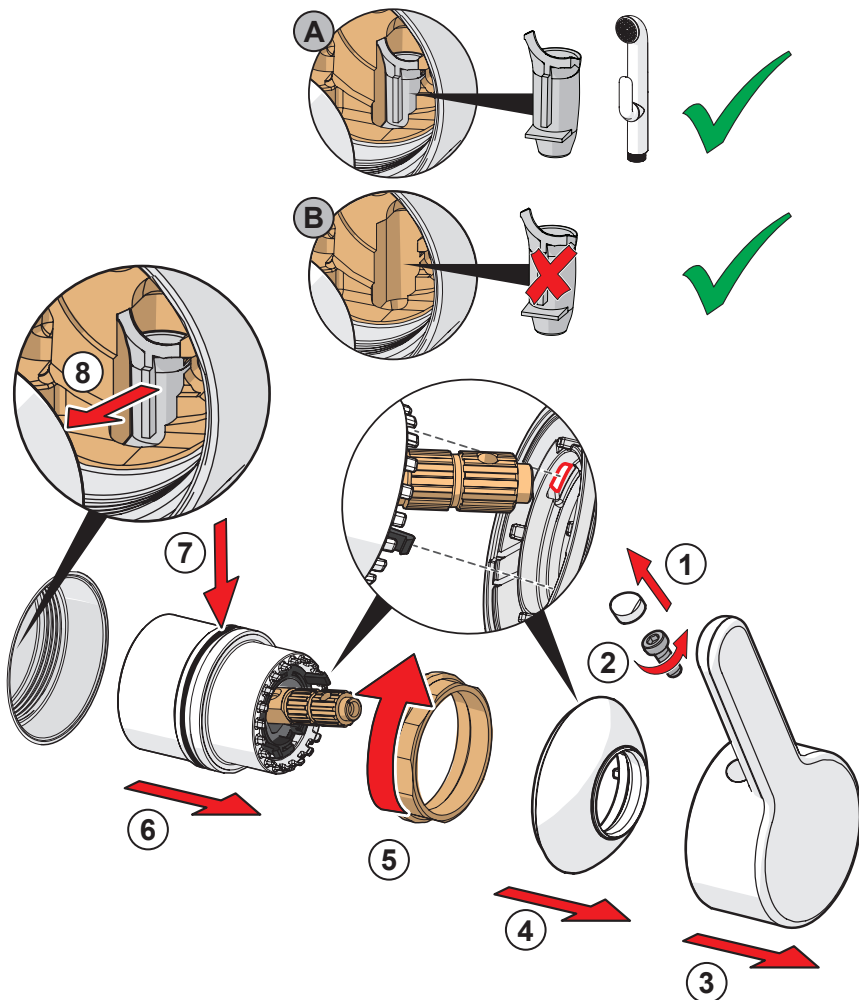
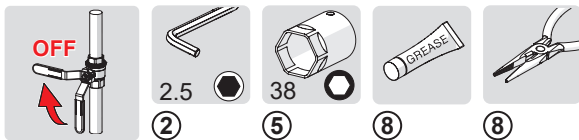
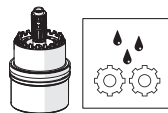
2.5

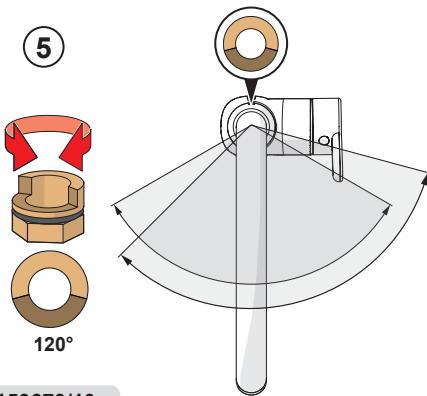
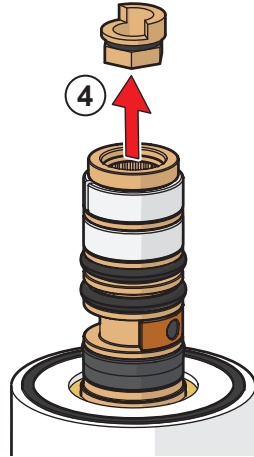
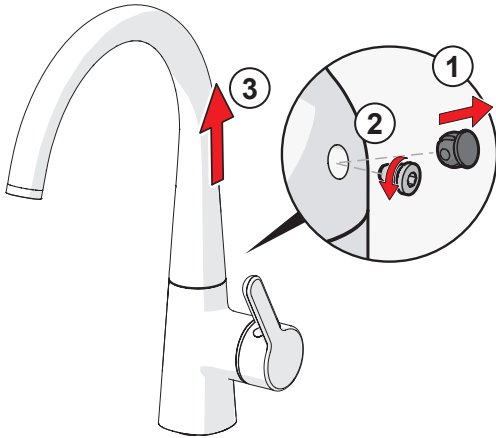
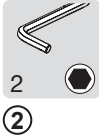
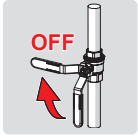
②

⑤

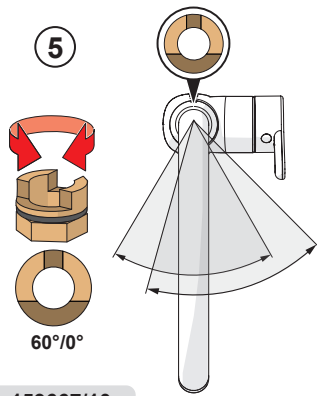




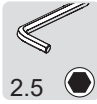




159670/10



159667/10

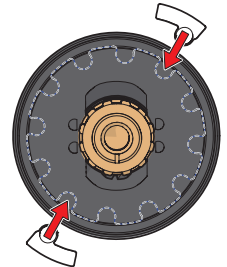
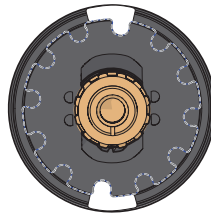
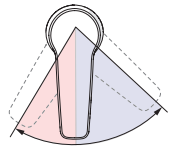
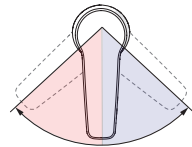
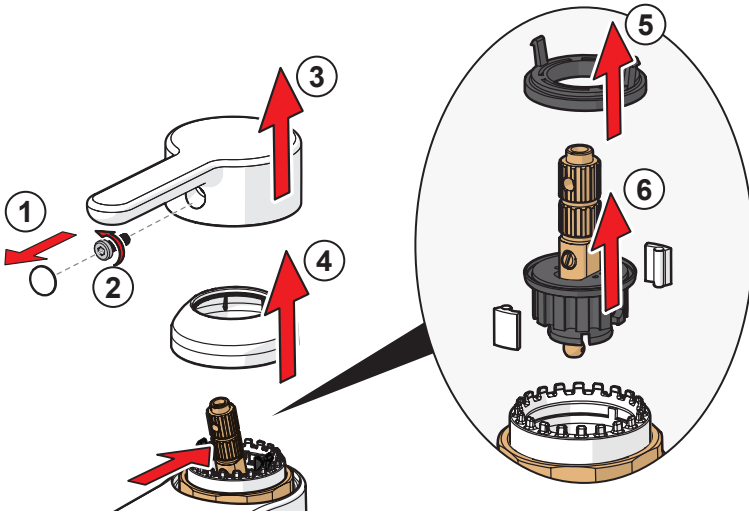


2.5

②

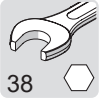


⑤ ⑥





① ③



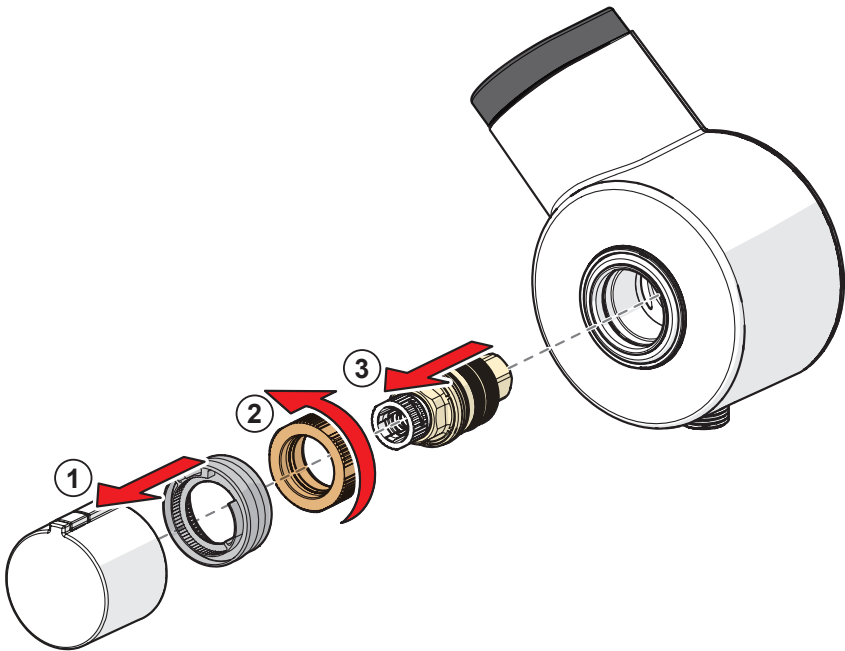
②



③



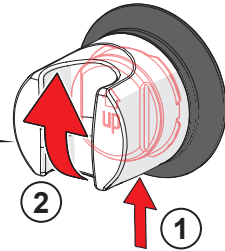
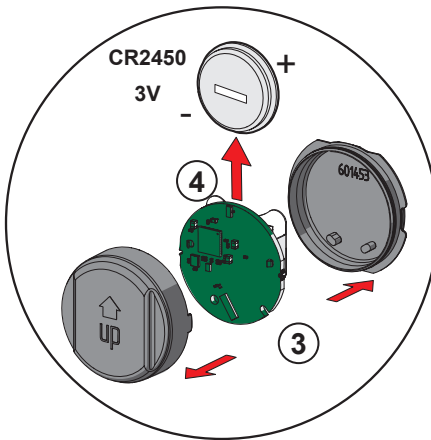
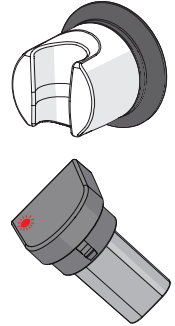
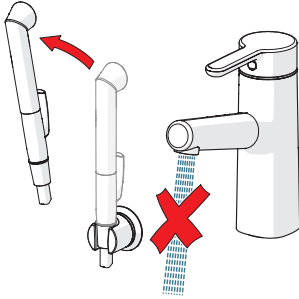
③



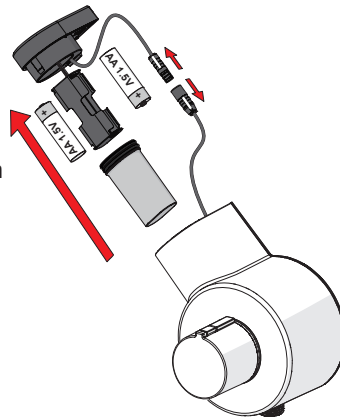


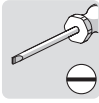
④

3003F
3013F
3005F



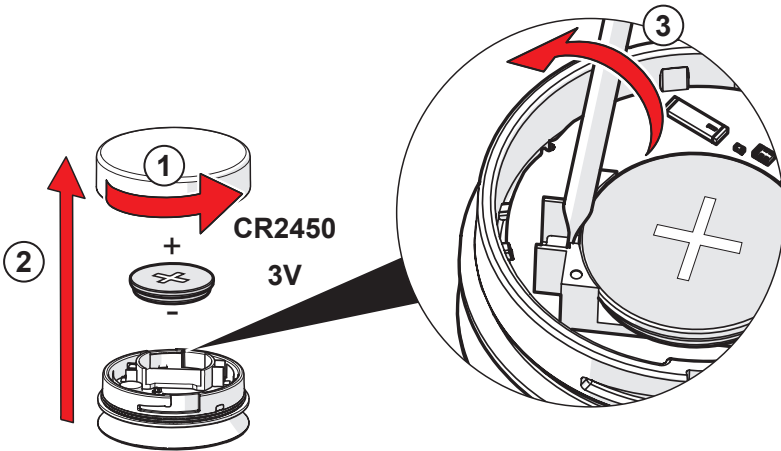
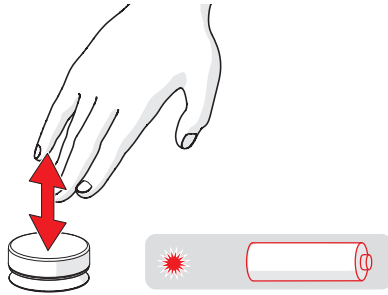
AA 1.5V x 2 Lithium





① ②

③

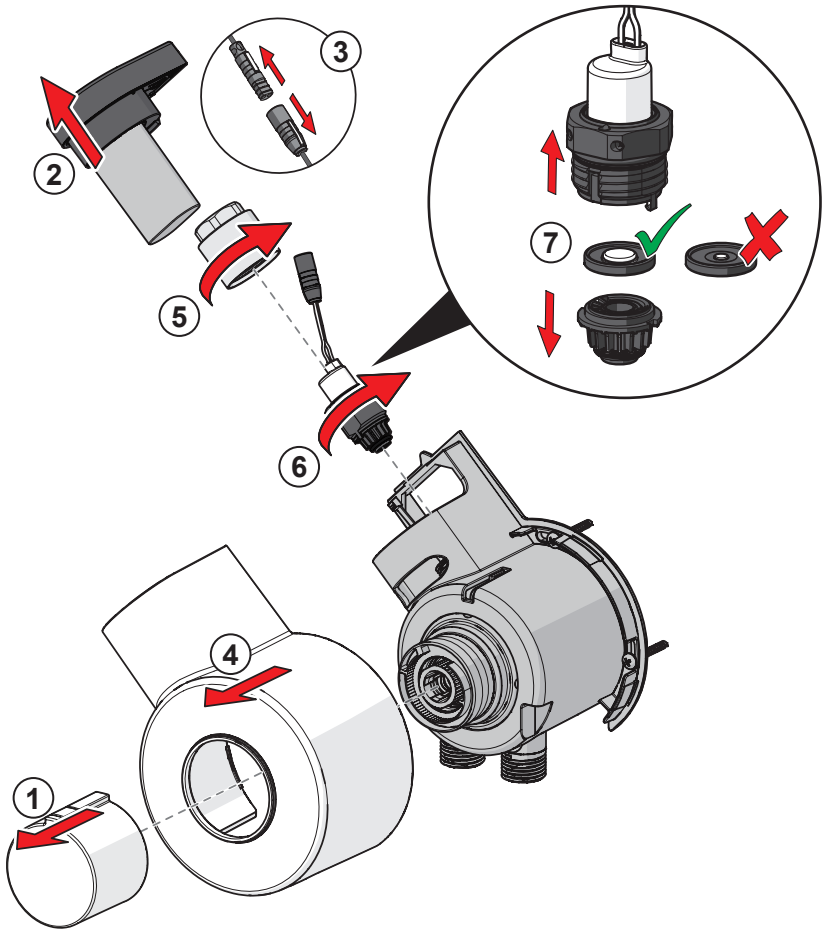


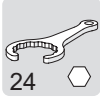


① ② ④

⑤ ⑥

⑦

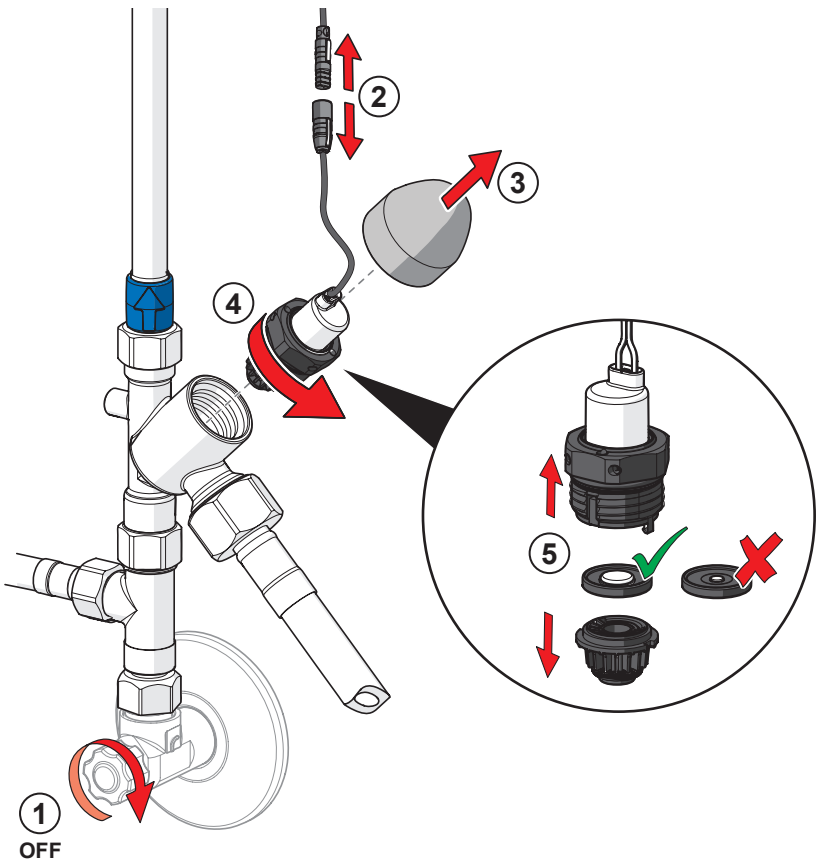


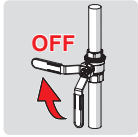


③

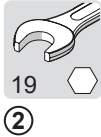
④

⑤





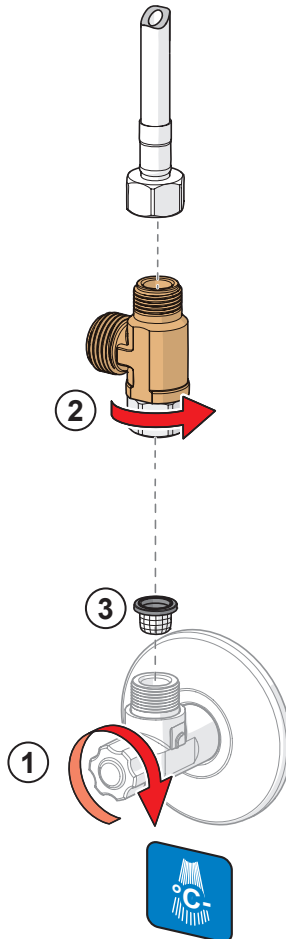
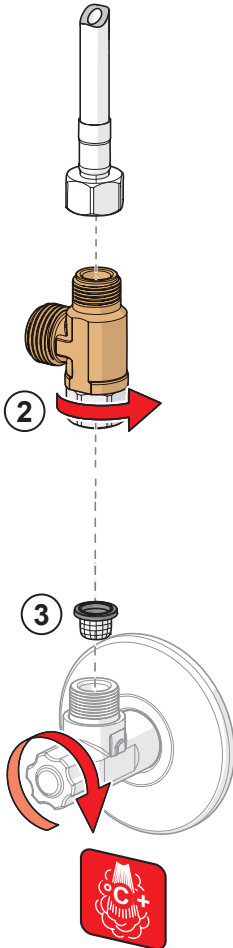
①



②

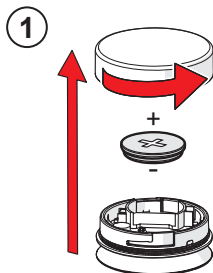


③

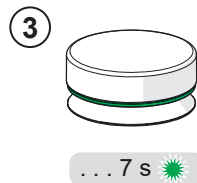
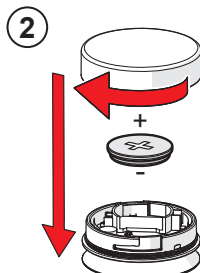




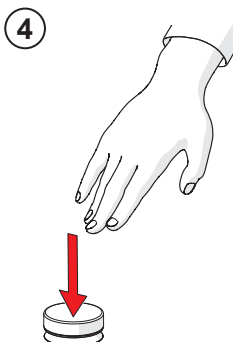
① ②



30 s

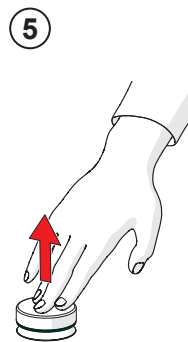


... 7 s

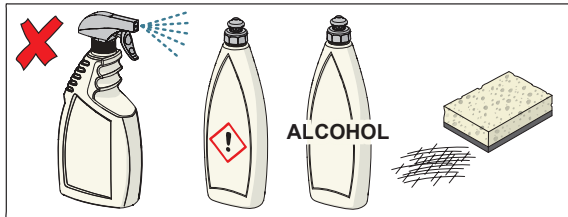
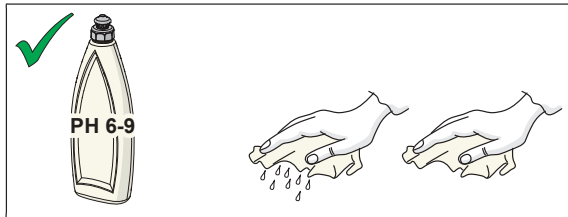
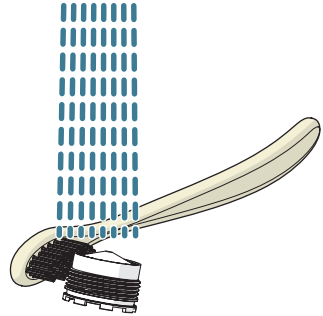
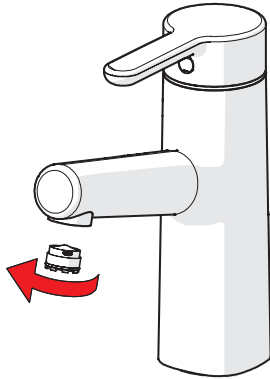
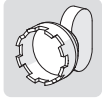


4x - 15x

1 x = 1/2 h



OK (2 - 7.5 h)
 < 2 h
 >7.5 h



Oras Group is a powerful European provider of sanitary fittings: the market leader in the Nordics and a leading company in Continental Europe. The company's mission is to make the use of water easy and sustainable and its vision is to become the European leader of advanced sanitary fittings. Oras Group has two strong brands: Oras and Hansa.

The Group's head office is located in Rauma, Finland, and the Group has three manufacturing sites: Kralovice (Czech Republic), Olesno (Poland) and Rauma (Finland). Oras Group employs approximately 1,200 people in twenty countries. Oras Group is owned by Oras Invest, a family company and an industrial owner.

ORAS Ltd
Isometsäntie 2, P.O. Box 40
FI-26101 Rauma
Tel. +358 2 83 161
Fax +358 2 831 6300
info.finland@oras.com
www.oras.com



943496-08-22