



Oras

Installation and maintenance guide



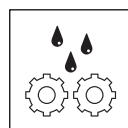
4-8



9-13



14-16



17-22



22



Accepterad
monteringsanvisning
2026:1



1664 KIWA Sverige 1913



SV: Om blandaren är monterad så att handduschen når vattenspegeln på WC/
bidé ska utloppet på blandaren kompletteras med en extra backventil Oras
105311. Detta för att uppfylla kraven gällande återströmning enligt SäVa § 5:3



7401, 7401G, 7401G-33, 7401GL

I (ISO 3822)
EN 1111, EN 1112, EN 1113

100 - 1000 kPa

7401:

0.25 / 0.26 l/s (300 kPa)

180 kPa (0.2 l/s)

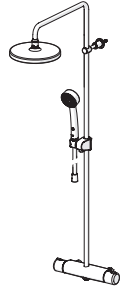
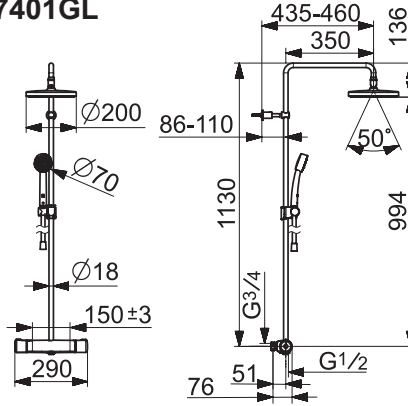
7401G, 7401G-33, 7401GL:

0.08 l/s (Eco)

0.14 l/s (300 kPa)

300 kPa (0.2 l/s)

max. +65°C



mpi.oras.com/7401

7402, 7402C, 7402-107, 7402-109

I (ISO 3822)
EN 1111, EN 1112, EN 1113

100 - 1000 kPa

7402, 7402C:

0.3 / 0.26 l/s (300 kPa)

180 kPa (0.2 l/s)

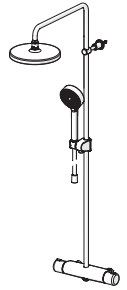
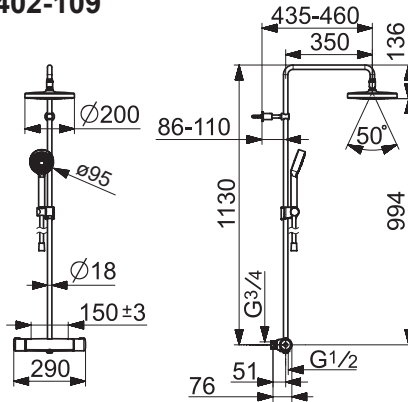
7402-107:

0.125 l/s (300 kPa w/Controller)

7402-109:

0.15 l/s (300 kPa w/Controller)

max. +65°C



mpi.oras.com/7402

7402-33, 7402C-33

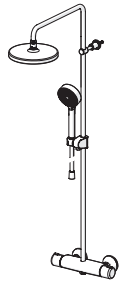
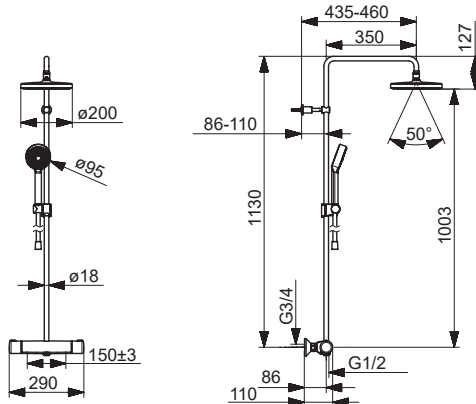
I (ISO 3822)
EN 1111, EN 1112, EN 1113

100 - 1000 kPa

0.3 / 0.26 l/s (300 kPa)

180 kPa (0.2 l/s)

max. +65°C

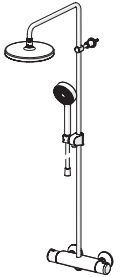
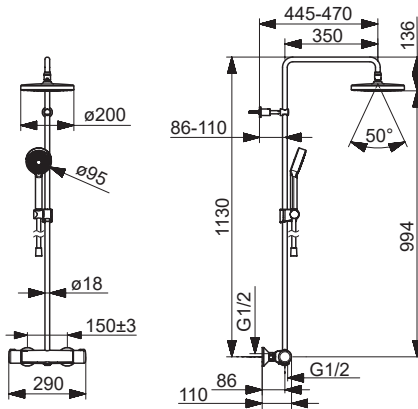


mpi.oras.com/7402-33

7402U , 7402U-33

I (ISO 3822)
 EN 1111, EN 1112, EN 1113
 100 - 1000 kPa
 0.25 / 0.26 l/s (300 kPa)
 180 kPa (0.2 l/s)

max. +65°C

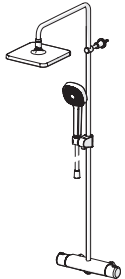
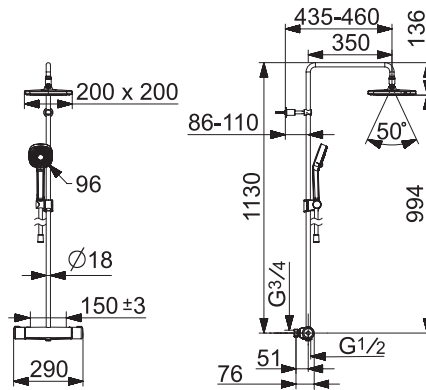


mpi.oras.com/7402U

7403

I (ISO 3822)
 EN 1111, EN 1112, EN 1113
 100 - 1000 kPa
 0.3 / 0.26 l/s (300 kPa)
 180 kPa (0.2 l/s)

max. +65°C

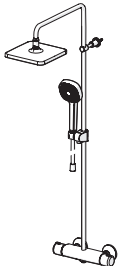
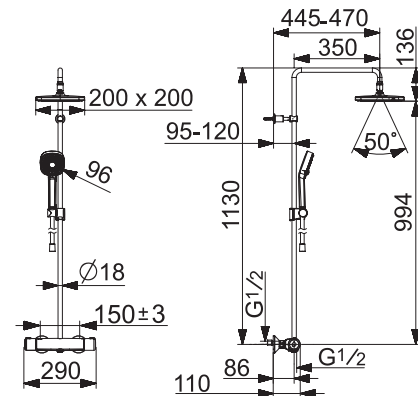


mpi.oras.com/7403

7403U

I (ISO 3822)
 EN 1111, EN 1112, EN 1113
 100 - 1000 kPa
 0.3 / 0.26 l/s (300 kPa)
 180 kPa (0.2 l/s)

max. +65°C



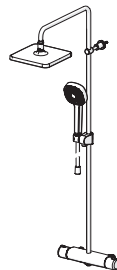
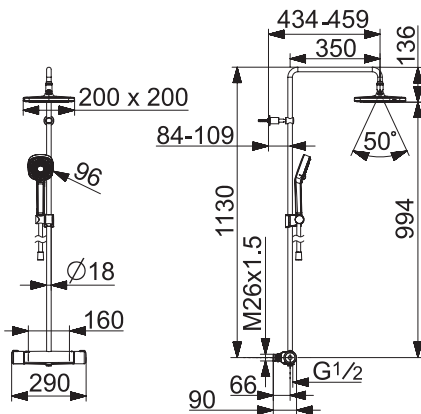
mpi.oras.com/7403U



7405

I (ISO 3822)
 EN 1111, EN 1112, EN 1113
 100 - 1000 kPa
 0.25 / 0.26 l/s (300 kPa)
 180 kPa (0.2 l/s)

max. +65°C

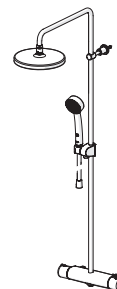
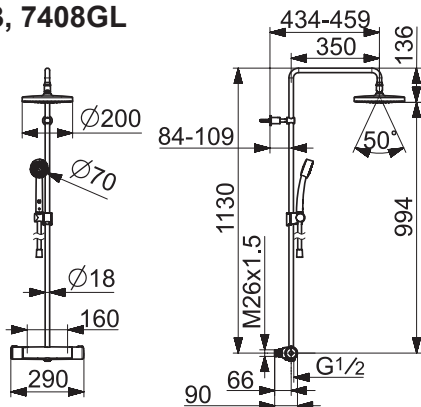


mpi.oras.com/7405

7408, 7408G, 7408G-33, 7408GL

I (ISO 3822)
 EN 1111, EN 1112, EN 1113
 100 - 1000 kPa
7408:
 0.25 / 0.26 l/s (300 kPa)
 180 kPa (0.2 l/s)
7408G, 7408G-33, 7408GL:
 0.08 l/s (Eco)
 0.14 l/s (300 kPa)
 300 kPa (0.2 l/s)

max. +65°C

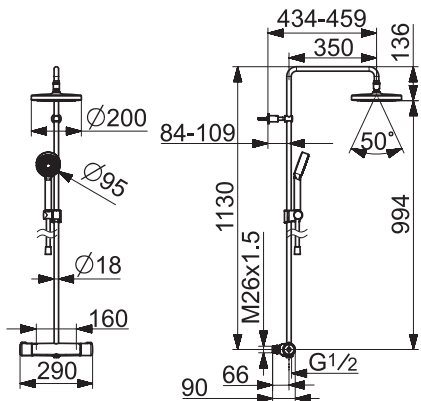


mpi.oras.com/7408

7409, 7409-33

I (ISO 3822)
 EN 1111, EN 1112, EN 1113
 100 - 1000 kPa
 0.25 / 0.26 l/s (300 kPa)
 180 kPa (0.2 l/s)

max. +65°C

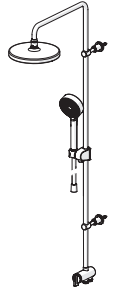
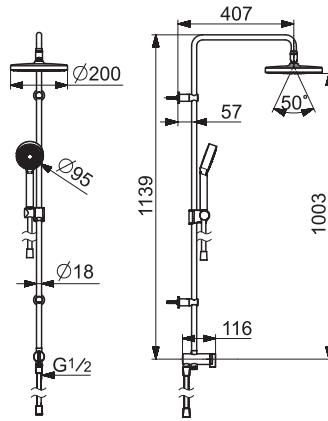


mpi.oras.com/7409

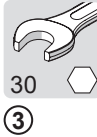
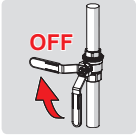


549

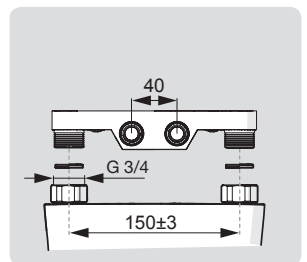
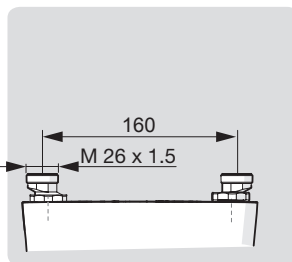
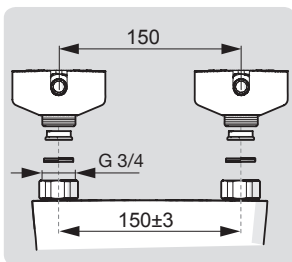
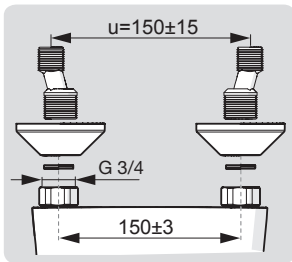
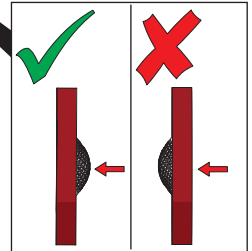
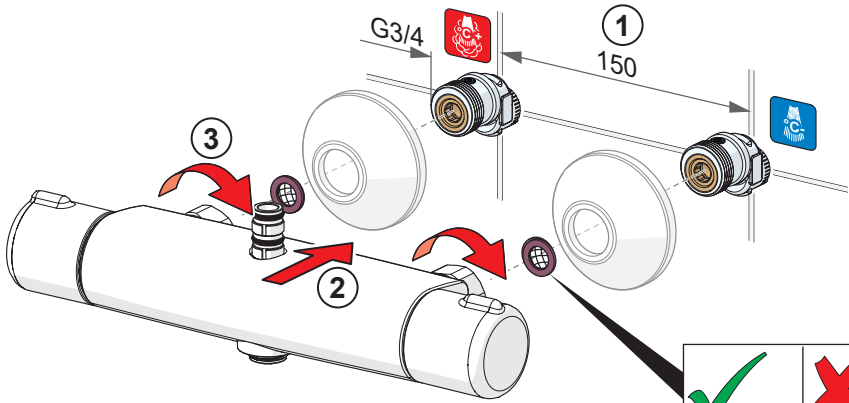
I (ISO 3822)
EN 1112, EN 1113
100 - 1000 kPa
0.25 / 0.26 l/s (300 kPa)
180 kPa (0.2 l/s)
max. +65°C

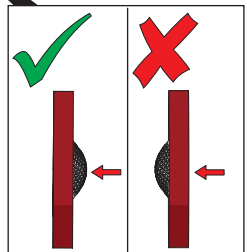
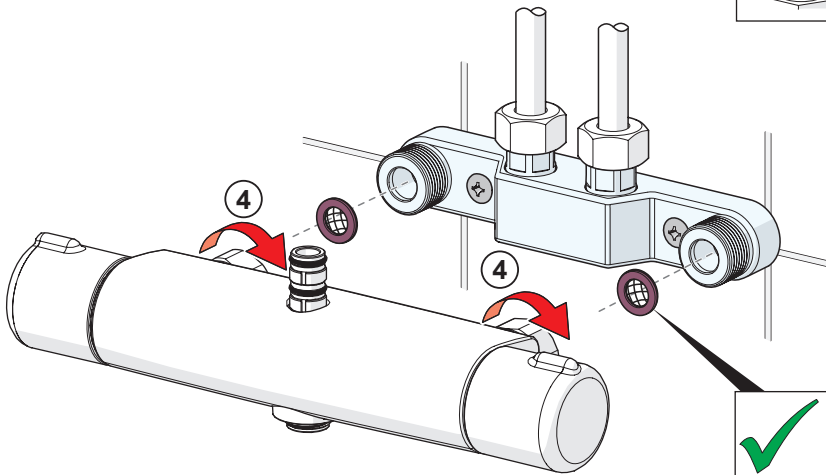
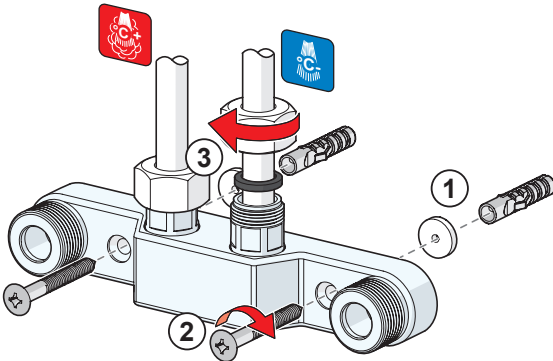
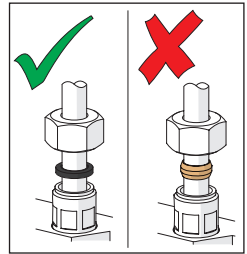
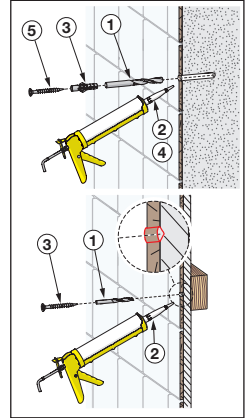
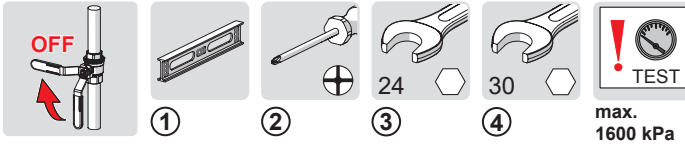


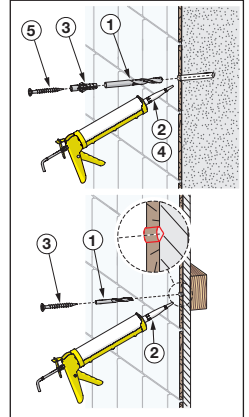
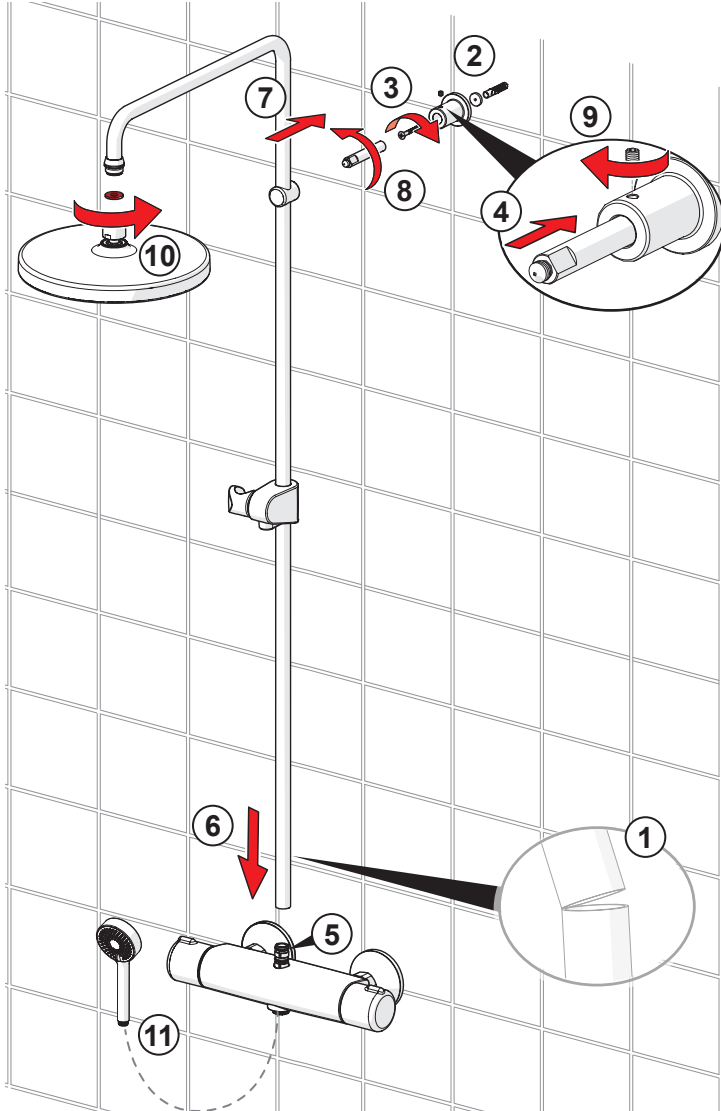
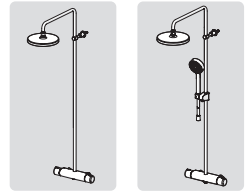
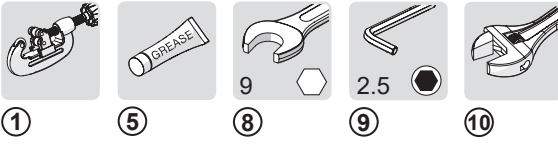
mpi.oras.com/549

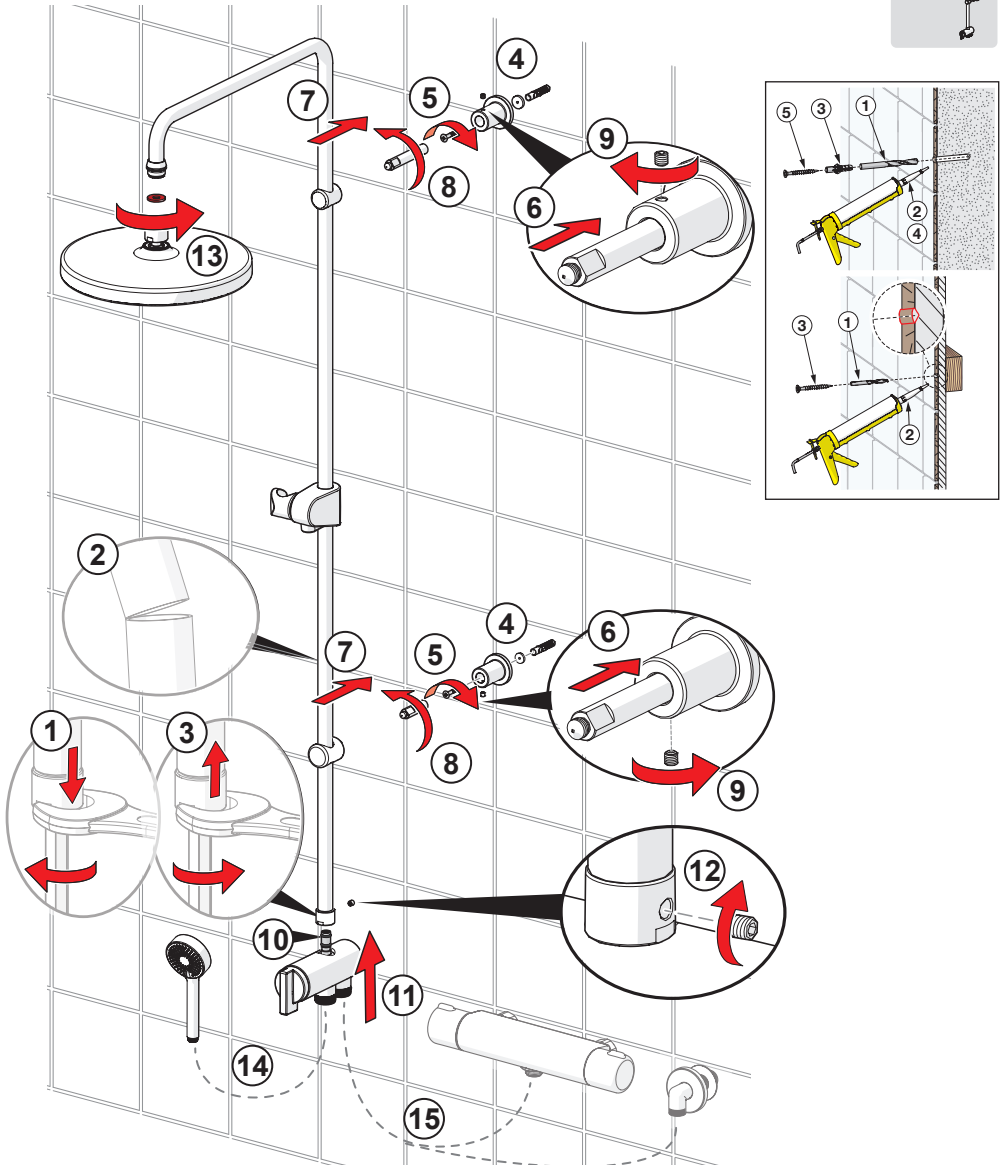
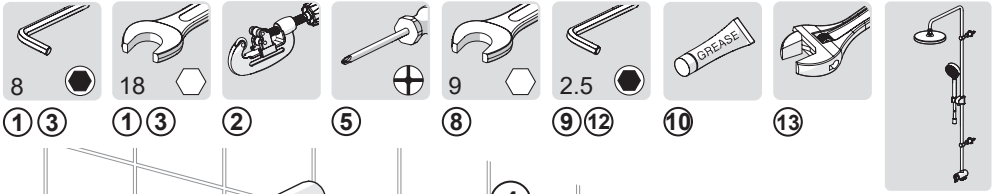


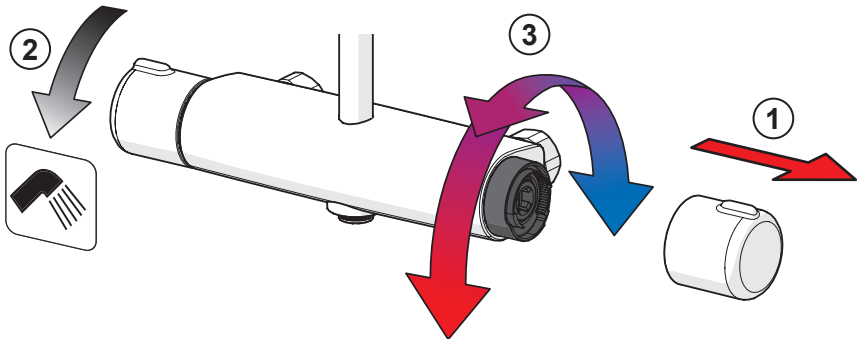
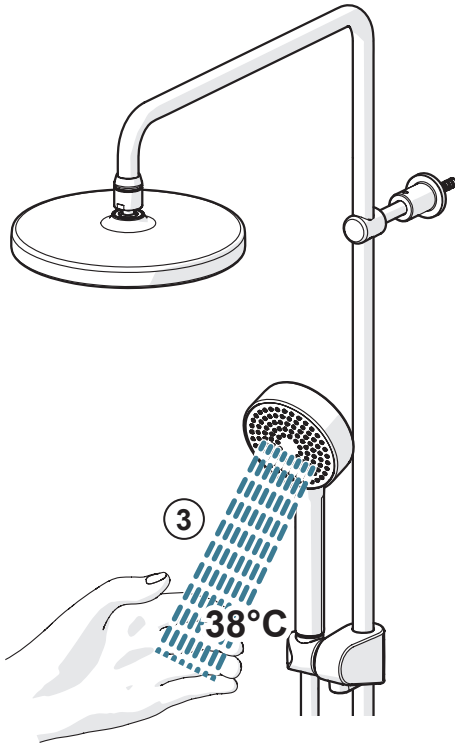
max.
1600 kPa

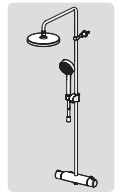
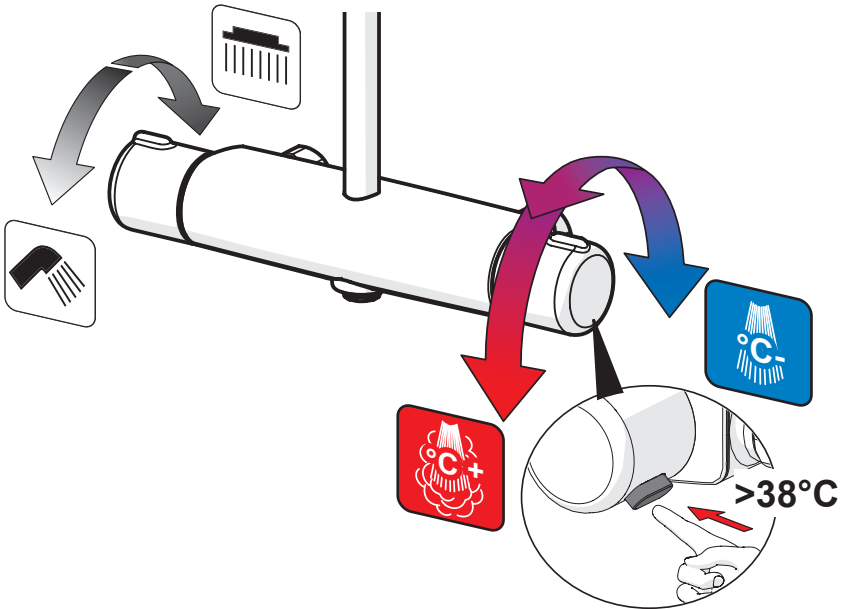
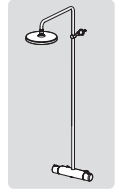
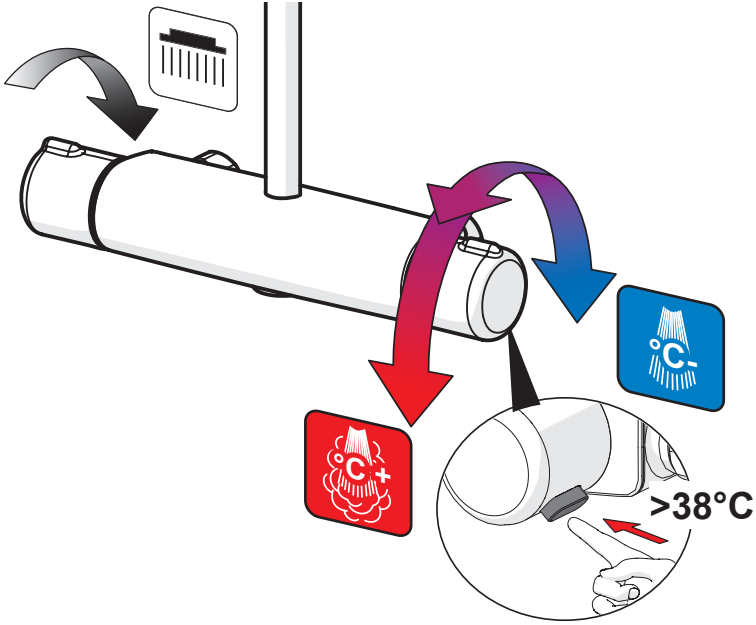


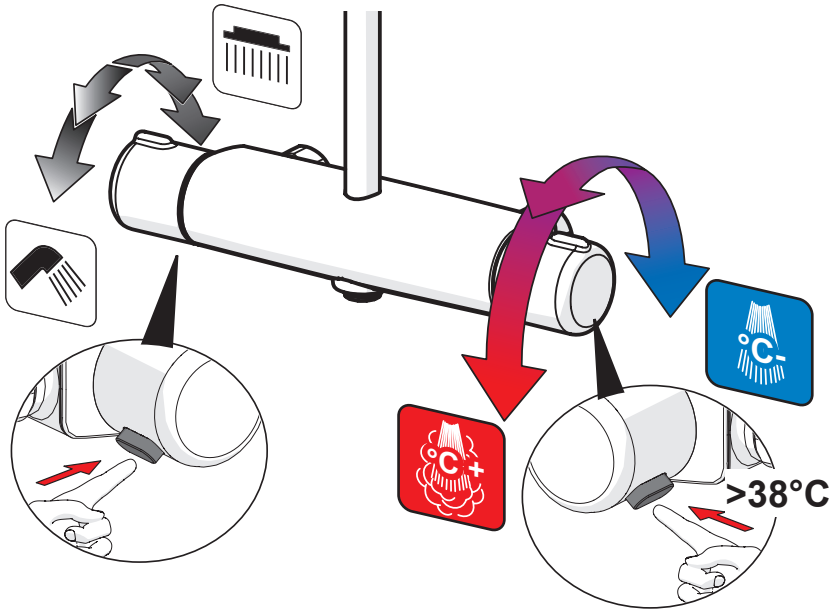
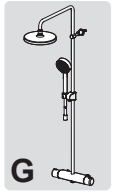


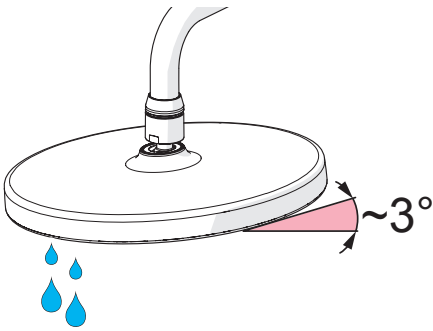
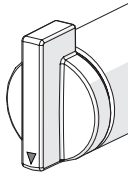
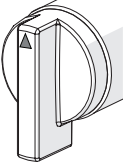
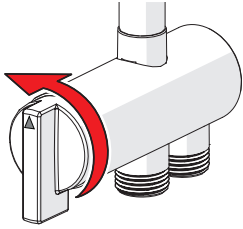


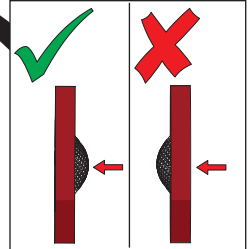
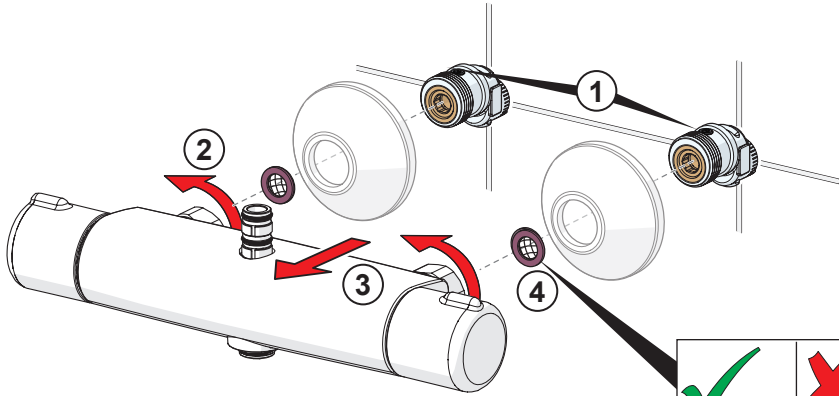
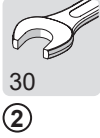
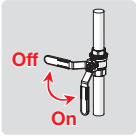
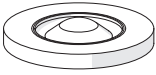


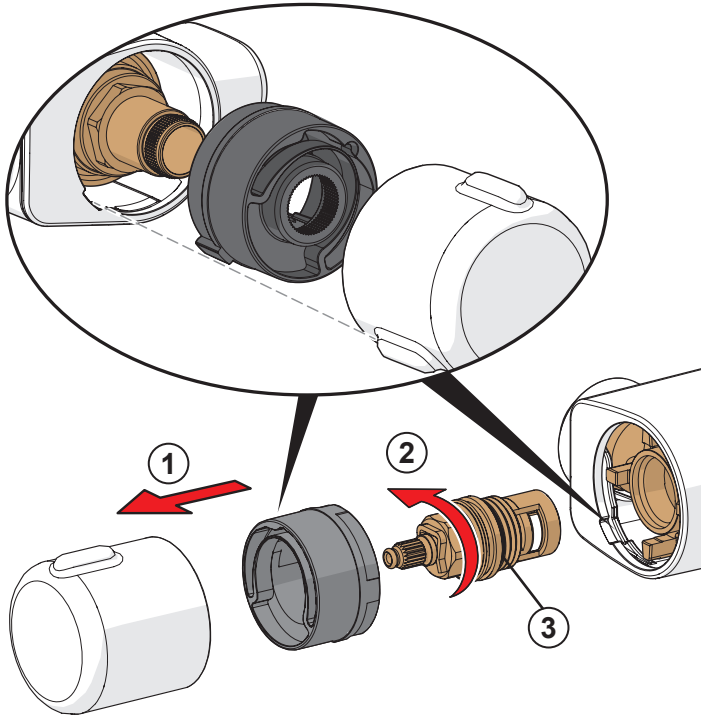
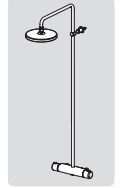
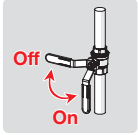


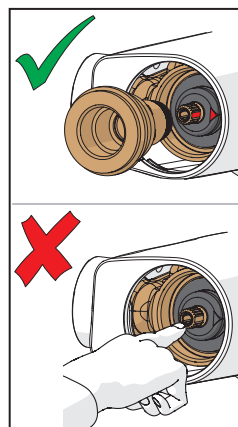
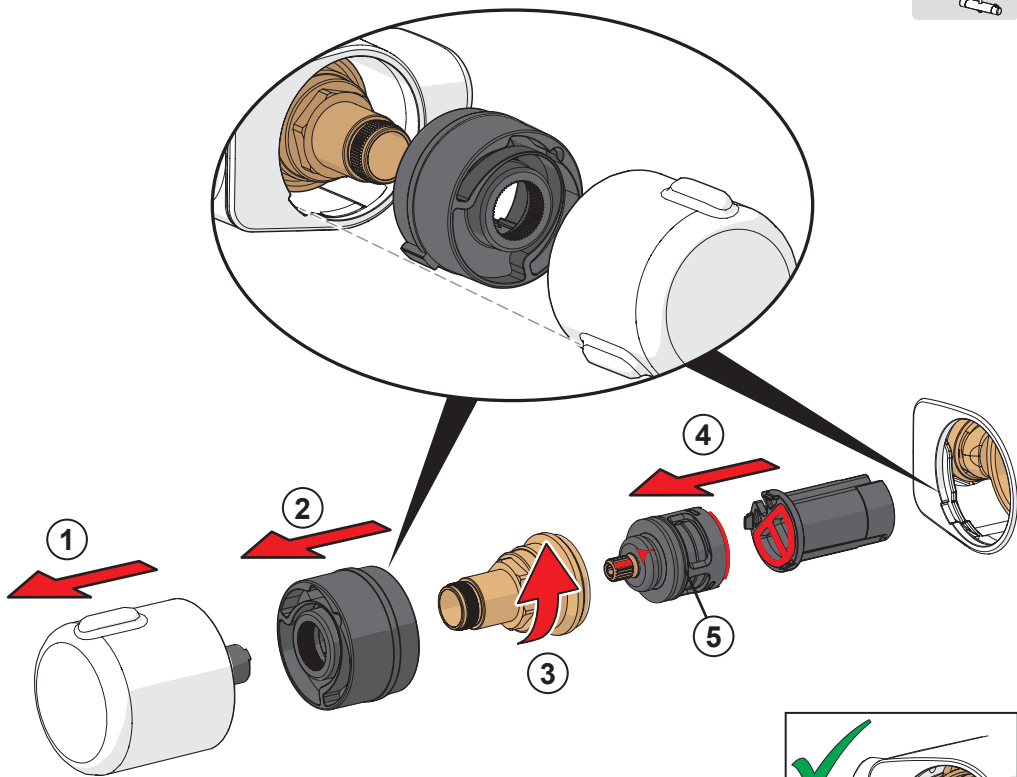
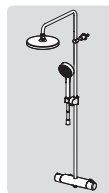
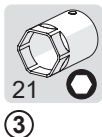
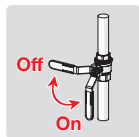
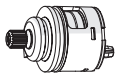


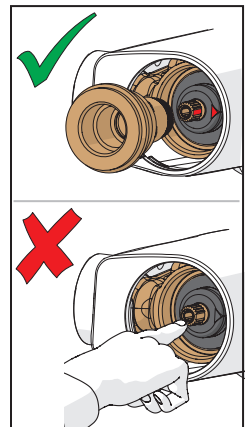
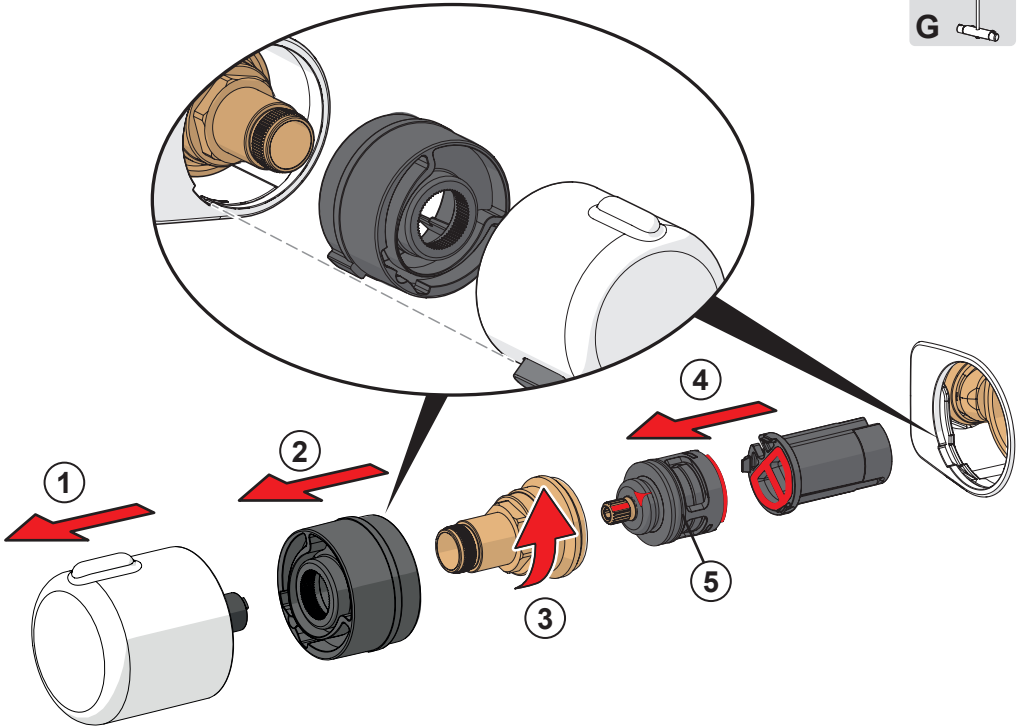
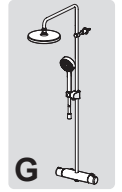
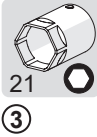
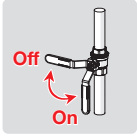
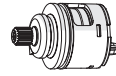


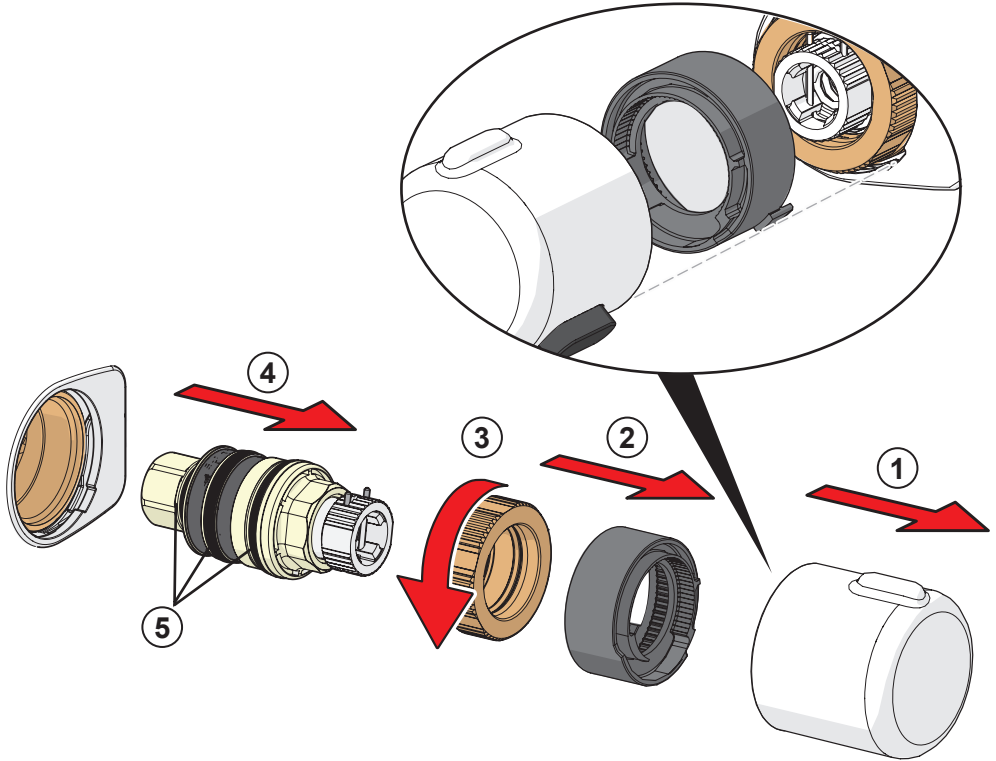
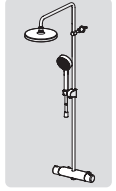
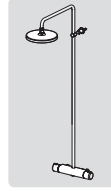
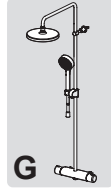
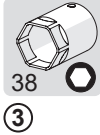
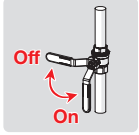


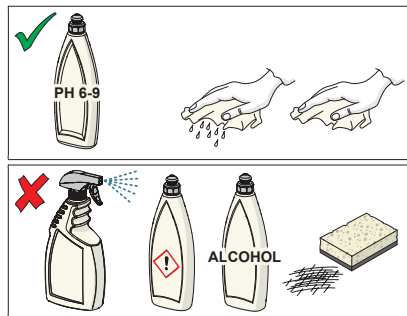
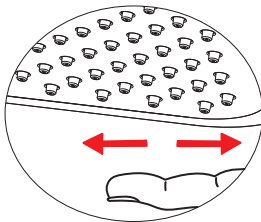
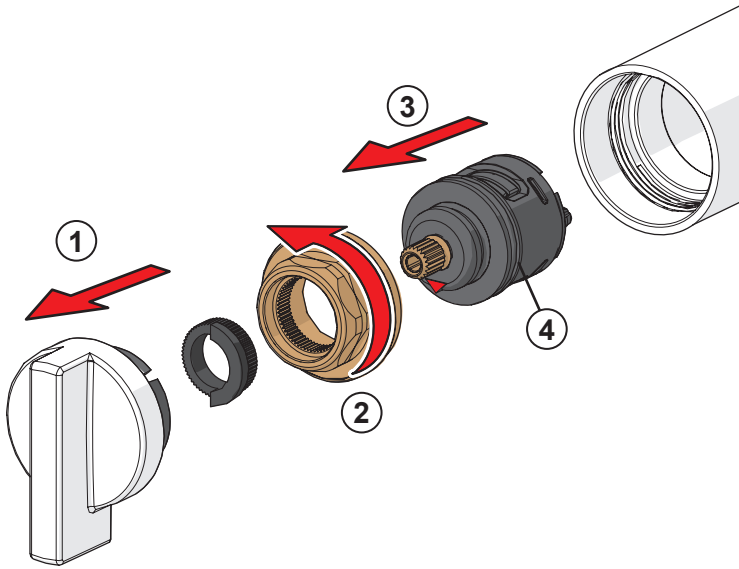
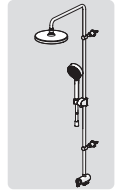
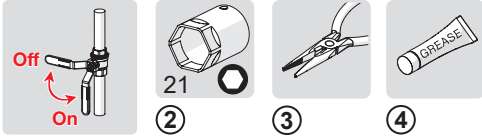












cleaning.oras.com

About Oras Group

Oras Group is a significant European provider of sanitary fittings: the market leader in the Nordics and a leading company in Continental Europe.

The company's mission is to create the smartest water experiences for everyone and its vision is to become the Perfect Flow Company.

The Group has two strong brands, Oras and Hansa. Oras Group is owned by Oras Invest, a family company, and an industrial owner.

The domicile of Oras Ltd, the parent company of the Group, is located in Rauma, Finland, and the Group has two manufacturing sites: Olesno (Poland) and Rauma (Finland).

The Group operates with its own staff in 17 markets. Oras Group's net sales were 233.5 million euros in 2021 and at the end of the period the company employed 1255 people.

ORAS Ltd
Isometsäntie 2, P.O. Box 40
FI-26101 Rauma
Tel. +358 2 83 161
Fax +358 2 831 6300
info.finland@oras.com
www.oras.com



943423-04-26